

KLINGER T85-DVK2:
Transparent Level Gauge
for steam applications,
suitable for shut-off
fittings:

Soft sealed gauge cocks,
model DVK2 valve (with
connecting piece and
flanges)

Working Conditions

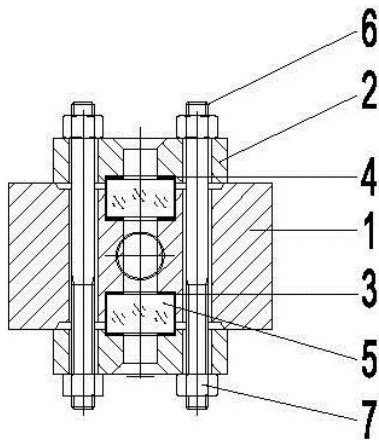
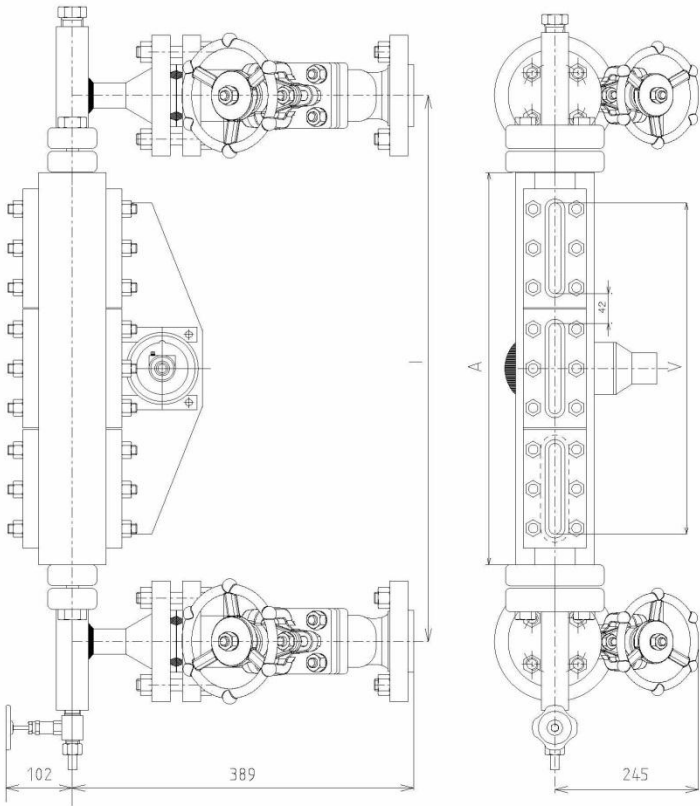
P max	T max
85 bar	298°C

KLINGER Material Codes

FS/H: components in carbon
steel

Accessories

- » Drain/vent cocks
- » External heating or cooling
- » Non-frosting block
- » Graduated scale
- » Illuminator
- » Mica or Kel-shields



Size	Body length	Sight length	Approx weight KG	C/C min. I
	A	V		
II	180	115	16,10	313
III	205	140	17,50	338
IV	230	165	18,60	363
V	260	195	20,30	393
VI	290	225	22,20	423
VII	320	255	23,50	453
VIII	360	295	26,10	493
IX	380	315	27,70	513
2 x IV	437	372	24,70	570
2 x V	497	432	27,40	630
2 x VI	557	492	32,00	690
2 x VII	617	552	35,70	750
2 x VIII	697	632	40,60	830
2 x IX	737	672	43,10	870
3 x VI	824	759	48,10	957
3 x VII	914	849	53,60	1047
3 x VIII	1034	969	60,60	1167
3 x IX	1094	1029	64,70	1227
4 x VII	1211	1146	71,50	1344
4 x VIII	1371	1306	81,30	1504
4 x IX	1451	1386	86,30	1584
5 x VII	1508	1443	89,40	1641
5 x VIII	1708	1643	101,70	1841
5 x IX	1808	1743	107,80	1941
6 x VIII	2045	1980	122,10	2178
6 x IX	2165	2100	129,40	2298
7 x VIII	2382	2317	142,50	2515
7 x IX	2522	2457	151,00	2655
8 X IX	2879	2814	172,60	3012

	Parts	Materials*
		FS/H
1	Level Gauge Body	CARBON STEEL
2	Cover	CARBON STEEL
3	Sealing Gasket	GRAPHITE PDM
3	Mica Shield	MICA
4	Cushion Joint	GRAPHITE PSM
5	Glass "B"	BOROSILICATE
6	Bolts	B7
7	Nuts	2H

